

POLYCRYSTALLINE SOLAR PANEL

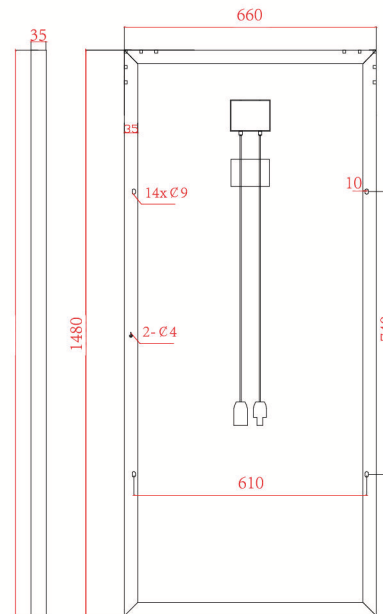
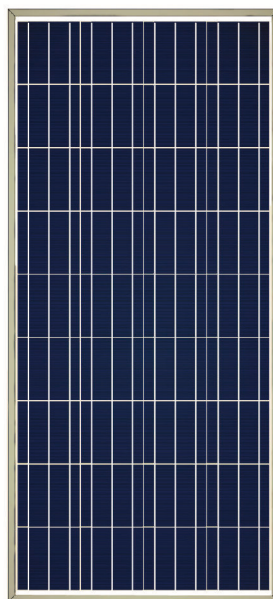
140W/145W/150W/155W/160W

MECHANICAL PARAMETERS

·Cell (mm)	Poly 156*156
·Number of Cells	36 (4X9)
·Output Cables	4mm ² , 900mm length
·Connectors	MC4 Compatible
·Junction Box	IP65
·Dimension	1480*660*35mm
·Weight	12Kg

WORKING CONDITIONS

·Max System Voltage	1000VDC
·Working Temperature	-40°C to +85°C
·Maximum Series Fuse	10A
·Max Wind Load	2400Pa
·Max Snow Load	5400Pa
·NOCT	45±2°C
·Application Class	Class A



ELECTRICAL PARAMETERS

	140W	145W	150W	155W	160W
·Peak Power at STC (Pmax/W)	140W	145W	150W	155W	160W
·Maximum Power Voltage(Vmp/V)	18	18	18.13	18.26	18.48
·Maximum Power Current(Imp/A)	7.78	8.06	8.27	8.49	8.66
·Open Circuit Voltage(Voc/V)	21.6	21.6	22.29	22.34	22.6
·Short Circuit Current (Isc/A)	8.32	8.63	8.71	9.08	9.27
·Power Tolerance	±3%				
·Maximum System Voltage	1000VDC				
·Temperature Coefficient of Pm	-0.43%/°C				
·Temperature Coefficient of Voc	-0.32%/°C				
·Temperature Coefficient of Isc	+0.052%/°C				
·Standard Test Condition (STC)	1000W/m ² , 1.5 AM spectrum 25 °C cell temperature				

NOCT (Under Normal Operating Cell Temperature, Irradiance of 800 W/m², spectrum AM 1.5, ambient temperature 20°C, wind speed 1 m/s)

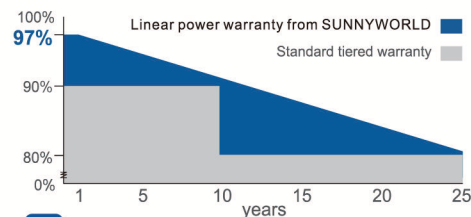
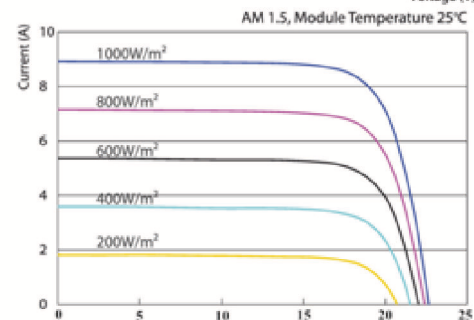
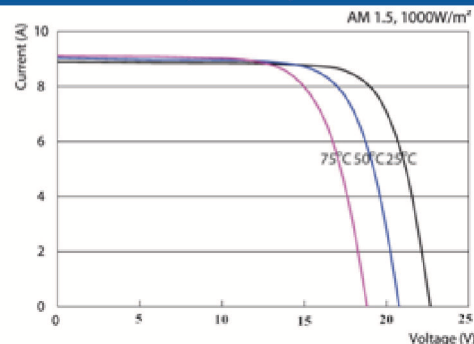
	140W	145W	150W	155W	160W
·Peak Power at NOCT (Pmax/W)	101.45	105.24	109.8	113.46	117.12
·Maximum Power Voltage(Vmp/V)	16.47	16.47	16.62	16.72	16.93
·Maximum Power Current(Imp/A)	6.16	6.39	6.56	6.75	6.86
·Open Circuit Voltage(Voc/V)	19.85	19.85	20.49	20.54	20.78
·Short Circuit Current (Isc/A)	6.65	6.89	6.96	7.26	7.4

PACKING CONFIGURATION

	20GP	40HQ
·Container	20GP	40HQ
·Pieces per pallet	50	26
·Pieces per Container	500	1100



I-V CURVE(155W)



25 25-year power warranty

*Based on customer's requirements and contract terms